

WISCONSIN

35.0 HP GASOLINE DUAL FUEL, LPG & NG OPTIONS

W4-1770

YOUR HEAVY-DUTY SOURCE OF POWER

Setting industry standards since 1909, Wisconsin continues to offer you a wide selection of air-cooled gasoline engines. Five models allow you to choose from single-cylinder, twin-cylinder and four-cylinder engines with power ranging from 7.0 to 65.9 HP.

WISCONSIN CONSTRUCTION

Wisconsin Engines are designed for those tough applications that require durability and long life reliability. The multi-cylinder, v-block design offers unique side load capability for a wide variety of industrial applications.



STANDARD FEATURES

- 4-Cylinder
- Air-Cooled
- V-Block Configuration
- Forged-Steel Crankshaft with Tapered Roller Main Bearings
- Heavy-Duty Cast-Iron Block
- Forged Steel Connecting Rods
- Cast Iron Cylinders
- Centrifugal Flyweight Governor
- Aluminum Alloy Pistons
- Heat Resistant Alloy Steel Exhaust Valves
- Instrument Panel
- Exhaust Valve Rotators
- Replaceable Valve Guides
- Replaceable Valve Seat Inserts
- Solid State Ignition with Side Mounted or Top Mounted Distributor

WORLDWIDE PARTS & SERVICE

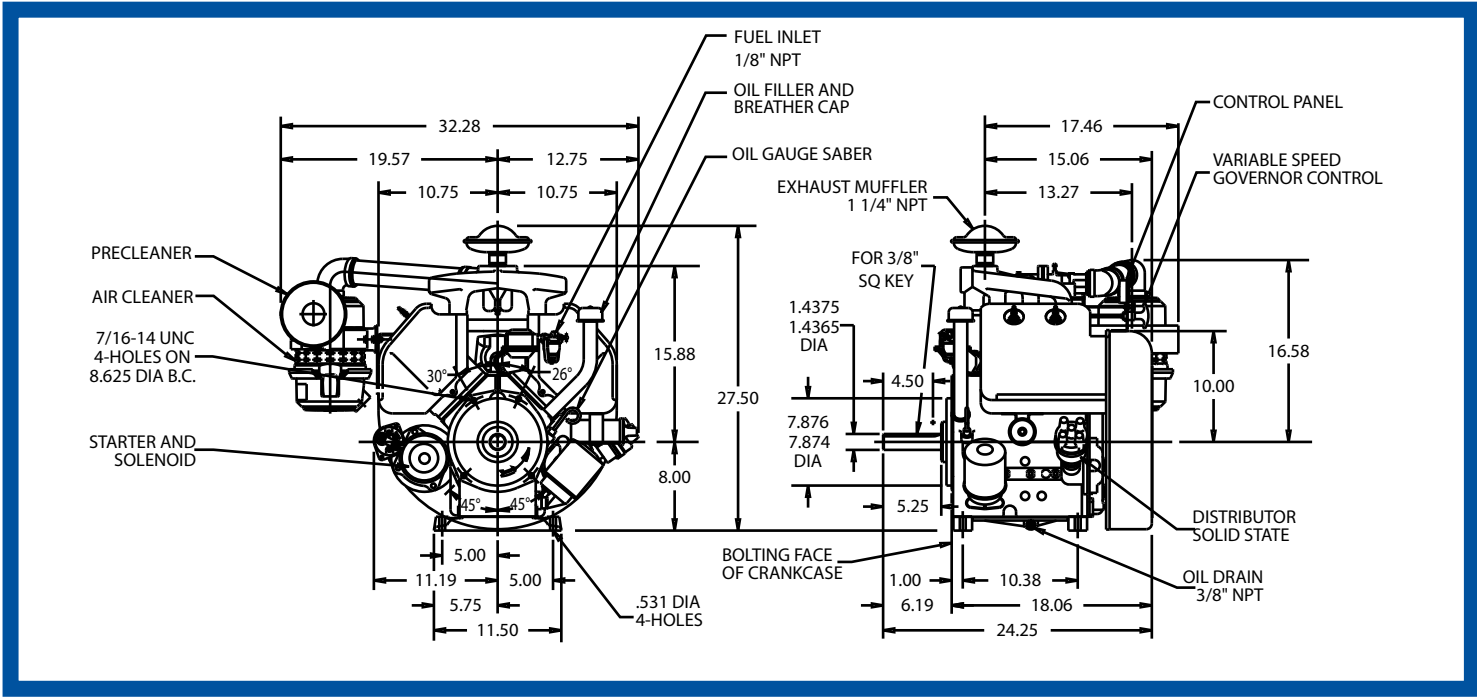
We back our engines with a worldwide service network. Experienced Wisconsin representatives are always ready to meet your needs.



WISCONSIN MOTORS, LLC

WISCONSIN W4-1770

35.0 HP GASOLINE DUAL FUEL, LPG & NG OPTIONS



* Net Weight Dry Standard Engine with stub shaft) 330 lbs. (150 kg)

Bore 3.25 in. (2.55 mm)
Stroke 3.25 in. (82.5mm)
Displacement 107.7 cu. in. (1765 cc)

RPM	HP	KW	TORQUE	
			Ft.lbs	Kg-m
1600	21.3	15.9	69.9	9.7
1800	24.2	18.1	70.6	9.8
2000	27.1	20.0	71.2	9.8
2200	29.6	22.1	70.7	9.8
2400	32.0	23.9	70.0	9.7
2600	33.6	25.7	67.9	9.4
2800	34.6	25.8	64.9	9.0
3000	35.0	26.1	61.3	8.5

POWER OUTPUT

Maximum dynamometer net brake horsepower of the basic engine corrected to a pressure reading of 29.31 in. Hg (99 KPA) dry barometer and temperature of 77° F (25° C) when tested in accordance with SAE Test Code J1349. Engine output can be demonstrated within 5% at the factory under standard rating conditions. Power will decrease 3.5% for each 1000 ft. (305 M) above 500 ft. and 1% for each 10° F above standard temperature of 77° F (25° C). For continuous operation, applications should be limited to 80% of power shown.

OPTIONS FOR EVERY NEED

- Dry Element and Tri-Phase Air Cleaners
- Bell Housings (SAE #4&5)
- Clutch Take-Off
- Clutch Reduction Assemblies (In Ratios of 2,3, or 4 to 1 with Clockwise or Counter-Clockwise Take-Off Shaft Rotation)
- Heavy-Duty Mufflers
- High-Temperature & Low Oil Safety Switches
- Accessory Drive for Hydraulic Pump
- Special Crankshaft Extensions & Stub Shafts
- 37 amp Belt-Driven Alternator

* Contact your Wisconsin Representative for Additional Options



WISCONSIN MOTORS, LLC

SALES OFFICE:
 2020 Fletcher Creek Dr. • Memphis, TN, 38133
 Phone (901) 371-0353 • Toll Free 800-932-2858
www.wisconsinmotors.com